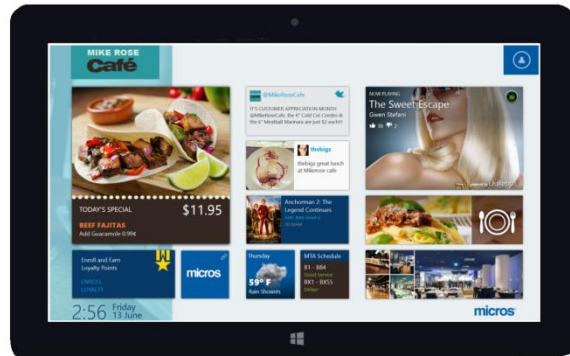


Oracle | MICROS Tablet E-Series 8” Hardware



Micros Tablet E-Series Platform Overview

The Micros Tablet E-Series 8 is the culmination of a close partnership with Oracle | MICROS, Microsoft and Intel to provide a tablet capable of addressing the real world business needs of today's F&B, Hotel, and Retail Industries. Customers in these markets require state of the art mobile products capable of supporting enterprise class applications **with a secure and robust operating system.**

The Micros Tablet E-Series utilizes the latest Intel Atom “Baytrail” architecture, which combines high performance processing capabilities with low power consumption. This enables the design of devices that are sleek and light, yet still capable of running real business applications for long periods of time.

The Micros Tablet E-Series comes loaded with **Windows Embedded 8.1 Industry**^{*}, the newest operating system from Microsoft and the successor to POSReady7. Microsoft Windows 8.1 has shown Microsoft's commitment to a full featured operating system targeted for mobile devices. Windows Embedded 8.1 Industry includes all of the capabilities of Windows 8.1 Pro, **with additional functionality including security and access management features that are sought after by Oracle | MICROS customers.**

As with all Oracle | MICROS hardware products, the Micros Tablet E-Series also comes preloaded with tools and platform features to simplify the deployment of the devices. Key among these features is Oracle | MICROS Client Application Loader or CAL. CAL provides a consistent, easy to use interface across MICROS hardware for installing Oracle | MICROS applications and ensures that applications are updated as appropriate. In addition to CAL, the Micros Tablet E-Series come loaded with OPOS drivers and many application prerequisites to ensure a smooth installation.

All of these features combine to provide the Oracle | MICROS Micros Tablet E-Series a higher level of value in a very competitive market.

****Microsoft Windows Embedded 8.1 Industry provides substantial benefit over Microsoft Windows 8.1 Standard and Microsoft Windows 8.1 Pro. Due to Microsoft licensing regulations devices running Windows 8.1 Standard or Windows 8.1 Pro cannot be upgraded to Windows Embedded 8.1 Industry unless an enterprise license agreement is in place.***

Supported SW

The **Micros Tablet E-Series 8** is currently supported by the following Oracle | MICROS applications:

Application	Version Supporting Micros Tablet/mStation
Symphony 1	V1.6 MR9 and MR10 will support tablets and sleeves.
Symphony 2	V2.7 and higher
RES	5.4 and higher

Technical Details and Feature Summary: Micros Tablet E-Series 8

Specification/Feature	Micros Tablet E-Series 8
Processor	Intel® Atom™ processor Z3740D 1.33GHz (2MB Cache, up to 1.8GHz Quad-Core)
Memory	2GB Single Channel DDR3L-RS 1600MHz
Hard Drive	32GB eMMC Storage
Operating System	Microsoft Windows Embedded 8.1 Industry Pro (32bit)
Display	8.0 inch IPS Display with HD resolution (WXGA 1280 x 800)
Touchscreen	8.0 inch 10-pt capacitive touch
Screen Orientation	Portrait or Landscape, Auto Rotating
Magnetic Card Reader	Optional Sleeve , Modular Integrated 3-Track MCR Capable of Hardware Encryption at the Swipe
Scanner	Future optional Sleeve , includes MCR and 2D Imager/Scanner
Network/Wireless	802.11 a/b/g/n Dual Band Radio, Bluetooth 4.0
Battery	18WHr (4830mAh), 2-Cell lithium Ion Battery
Ports & Connectors	1 - Micro USB2.0 (for trickle charging and data transfer) 1 - Headphone and microphone combo jack
Card Reader	Micro-SD Card Reader (SD, SDHC, SDXC, supporting up to 64GB)
Camera	Integrated 1.2MP front / 5MP back
Operating Temperature Range	0 to 35C (32-95F) Normal Operation
Dimensions	Length: 216.2 mm (8.51 inches) Width: 130 mm (5.11 inches) Thickness: 9 mm (0.35 inches)
Weight	Approx. 400g / 0.88lb
Certifications	http://www.dell.com/regulatory_compliance_datasheets

Micros Tablet Family Comparison: Micros Tablet R-Series and E-Series

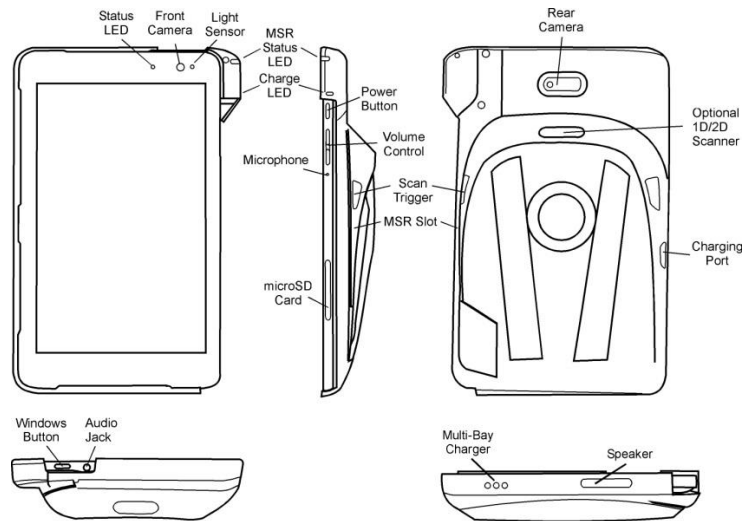
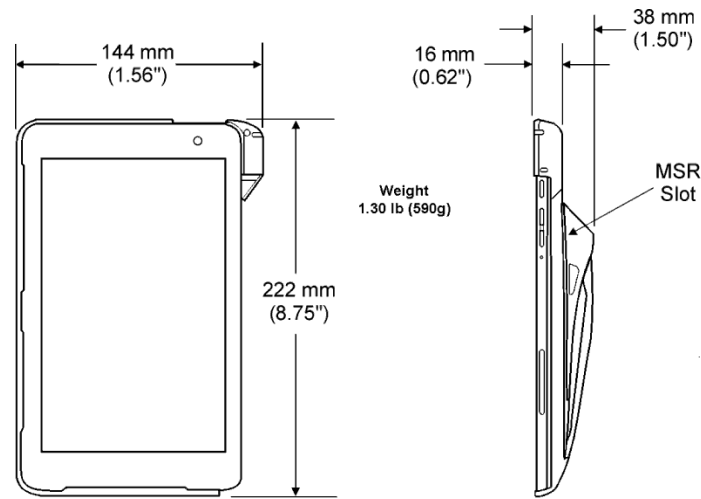
Tablet Model	Size Resolution	Rugged	Extended Battery	MSR	Daylight Viewable	End-user Warranty	mStation Docking
Micros Tablet R-Series	10.1" 1024x600	Y	Y w/mStation	Integrated	Option	90 Days Onsite	Y
Micros Tablet E-Series-8"	8.0" 1280x800	N	N	Y w/POS Sleeve	N	1-Year DELL Direct Repair	N

Micros Tablet E-Series Warranty: Dell Repair Center

The E-Series products have a 12 month Return to DELL Repair Center warranty. During this period, Dell Repair Centers will replace or repair the product at their discretion (both tablets and sleeves). If the Micros Tablet E-Series included the optional sleeve, both must be returned to the Repair Center. End-users liaise directly with Dell to obtain RMA documents and ship to the address provided from the RMA process

The RMA process includes a pre-paid shipping label to the repair center so there is no shipment cost for a warranty repair. USA Repair centers are located in: Houston TX and Round Rock TX. Visit the Dell website, and have your Service Tag or Express Service Code available. End Users can begin the Product Support process here: <http://www.dell.com/support/home/us/en/19/>

Micros Tablet E-Series 8 (Dimensions)



mTablet E-Series w/ POS Sleeve - Operator Controls

mTablet E-Series 8 Operator Controls

